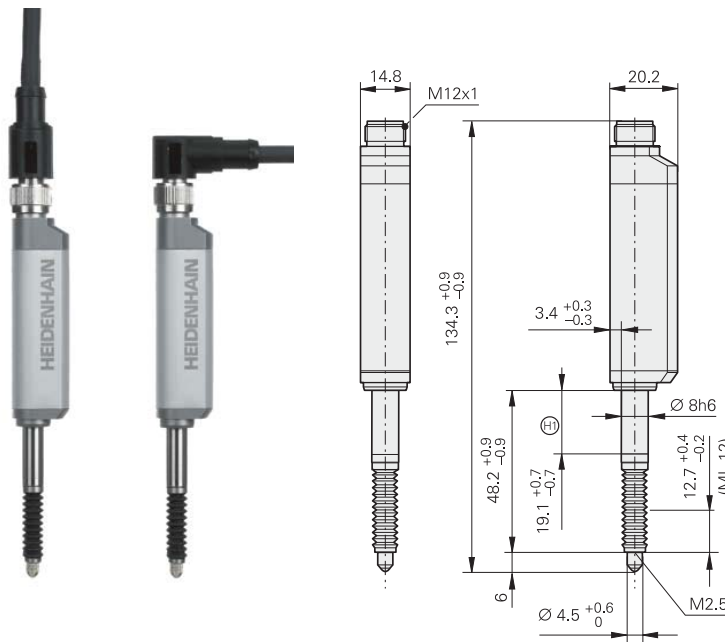


HEIDENHAIN-ACANTO

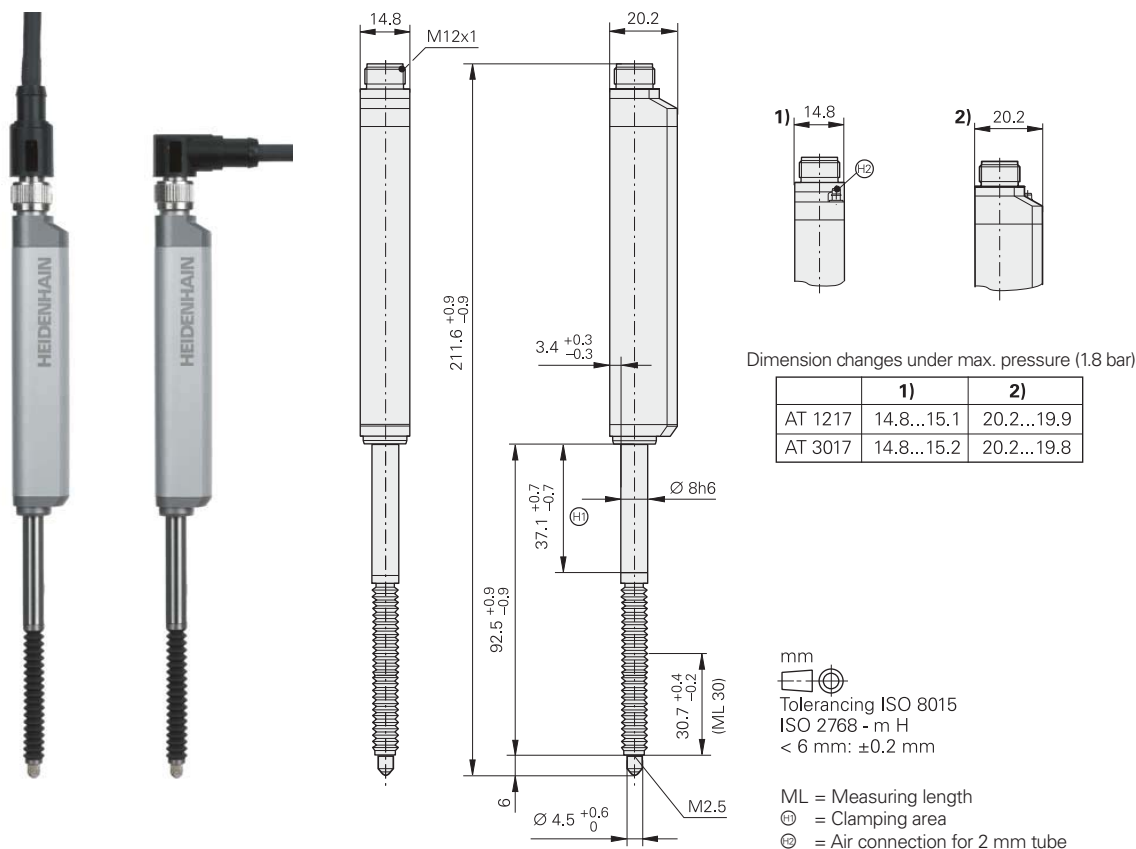
Absolute length gauges with EnDat interface

- Very compact dimensions
- Splash-proof
- Plain-bush guided plunger

AT 1200



AT 3000



Mechanical Data	AT 1218	AT 3018	AT 1217	AT 3017
Plunger actuation Position of plunger at rest	By measured object Extended		Pneumatic Retracted	
Measuring standard	DIADUR grating on glass; grating period 188.4 μm			
System accuracy	± 2 μm			
Position error per signal period	≤ ± 0.7 μm			
Measuring range	12 mm	30 mm	12 mm	30 mm
Gauging force	See <i>Gauging force—plunger actuation</i>			
Compressed air	-		≤ 1.8 bar	
Mech. permissible traversing speed	≤ 60 m/min			
Radial force	≤ 0.5 N (mechanically permissible)			
Fastening	Clamping shank Ø 8h6			
Operating attitude	Any			
Vibration 55 to 2000 Hz Shock 11 ms	≤ 100 m/s ² (EN 60068-2-6) ≤ 500 m/s ² (EN 60068-2-27)			
Operating temperature	10 °C to 40 °C; reference temperature 20 °C			
Protection EN 60529	IP 67		IP 64 (IP 67 with sealing air)	
Weight without cable	80 g	100 g	80 g	100 g

Electrical Data	EnDat			
Interface	EnDat 2.2			
Ordering designation	EnDat 22			
Resolution	23 nm	368 nm	23 nm	368 nm
Calculation time t_{cal} Clock frequency	≤ 5 μs ≤ 8 MHz			
Electrical connection	M12 flange socket (male) 8-pin			
Cable length	≤ 100 m with HEIDENHAIN cable			
Power supply	3.6 to 14 V DC			
Power consumption (max.)	3.6 V: ≤ 550 mW 14 V: ≤ 650 mW			
Current consumption (typical)	5 V: 80 mA (without load)			